

# TT-BS030 说明书设计

尺寸: 100 x 150 mm

装订册

材质: 封面128克铜版纸, 内页80克书写纸



**E-mail :**  
support@taotronics.com

**MANUFACTURER**

Manufacturer: Shenzhen NearbyExpress Technology Development Co.,Ltd.  
Address: Floor 7, Building E, Galaxy World Phase II, Shenzhen, China

Learn more about the EU Declaration of Conformity:  
<https://www.taotronics.com/pages/user-manual>

TT-BS030\_V2.1\_EN

Model: TT-BS030  
TaoTronics Bluetooth Barcode Scanner  
**User Guide**

## CONTENTS

|                                |       |
|--------------------------------|-------|
| Know Your Barcode Scanner      | 01/02 |
| How to Use Barcode Scanner     | 03/04 |
| Using Your Barcode Scanner     | 04    |
| Pair the Scanner with a Device | 05/08 |
| Troubleshooting                | 09    |
| Specifications                 | 10    |
| Working Modes                  | 11/17 |
| Code Symbol On / Off           | 18/21 |

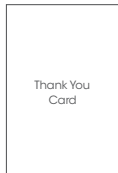
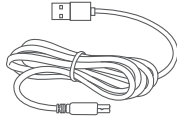
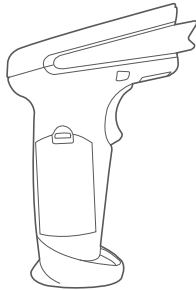
## Know Your Barcode Scanner

The TaoTronics Bluetooth Scanner combines top scanning performance and excellent ergonomics to provide the best value in a lightweight laser scanner.

Whether used as a hand-held scanner or hands-free in a stand, the scanner ensures comfort and ease of use for extended periods of time.

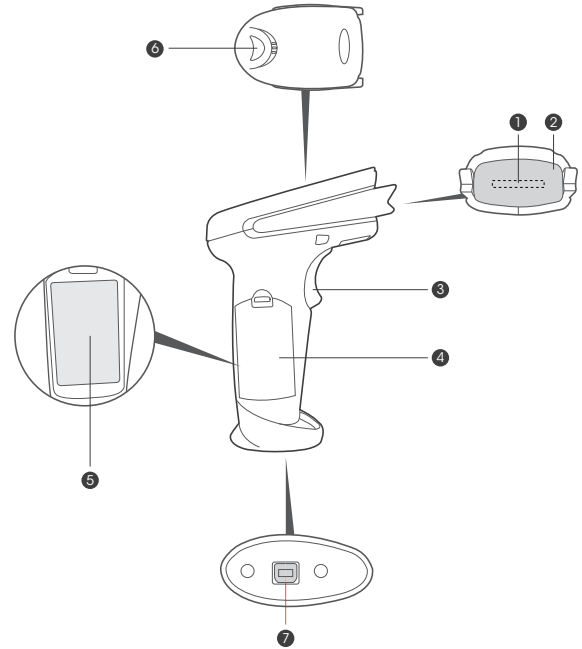
## Introduction of Key Function

### What's in the Box



- 1 x TaoTronics Bluetooth Barcode Scanner
- 1 x Charging / Data Cable
- 1 x Thank You Card
- 1 x User Guide

## Product Diagram



1. Scan Lens
2. Laser Diode
3. Trigger
4. Battery Compartment
5. Battery
6. LED Indicator
7. Charging / Data Port

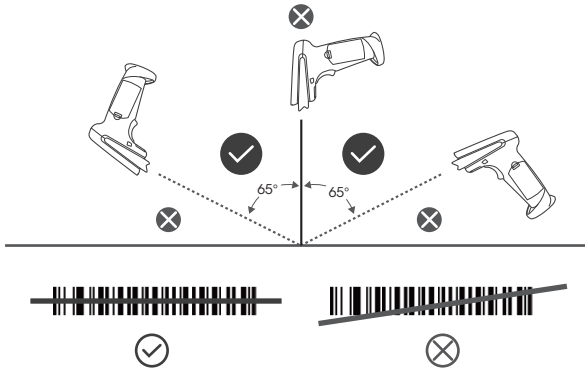
# How to Use Barcode Scanner

## Important Tips Before Use

Regularly clean the scanning window for better scanning accuracy

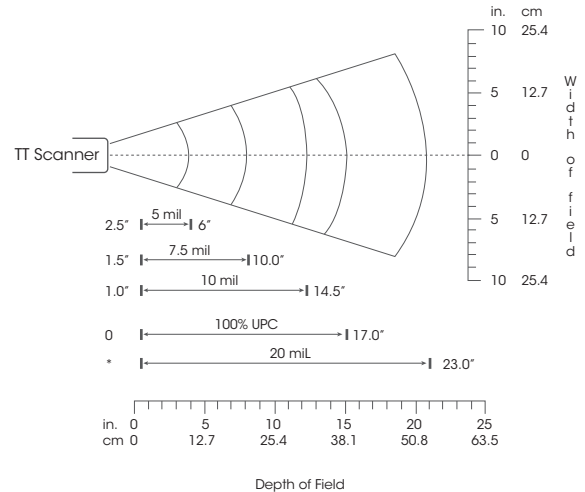
- Keep the window away from any abrasive material
- Remove any dirt particles with a damp cloth
- Wipe the window using a tissue moistened with ammonia / water
- Do not spray water or other cleaning liquids directly into the window

## Scan Aiming



**Note:** Do not hold the scanner directly over the barcode.

## Decode Zone



\*Minimum distance determined by symbol length and scan angle



**Note:** Typical performance at 73° (23 C) on high quality symbols in normal room light.

## Using Your Barcode Scanner

### Powering On / Off

- Pressing the Trigger will turn on the scanner and make the laser appear.
- The scanner will automatically shut off if detecting no operation in 30 seconds. You can also scan the following barcode to manually shut it off.

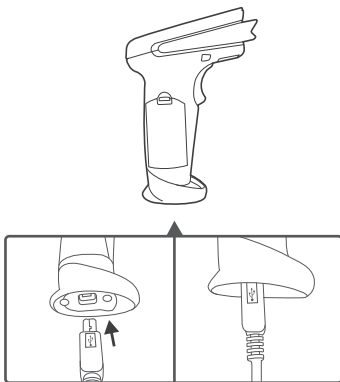


Shut Down

# Pair the Scanner with a Device

## Wired Connection

1. Plug the cable connector into the data port on the bottom of the scanner handle.
2. Gently tug the cable to ensure the connector is properly secured.
3. Connect the other end of the interface cable to the host computer.
4. Your PC will install the driver automatically. Once the driver installation is complete, the scanner is ready for use.



Scan the following barcodes to switch from wireless into wired mode to enable / disable wired mode.



Wired Mode On \*



Wired Mode Off

## Bluetooth Connection

1. Scan the barcode to pair with your host device.

Bluetooth HID Mode \*



Bluetooth Keyboard Speed (15) \*



Bluetooth Keyboard Speed (30)



Bluetooth Keyboard Speed (40)



Bluetooth Keyboard Speed (50)



Bluetooth Keyboard Speed (60)



Bluetooth SPP Mode



2. Scan the barcode to return to default setting.



### 3. Pair with different hosts

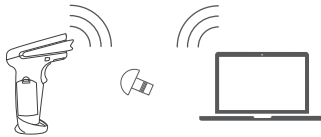
Turn on Bluetooth on the host device, scan the Bluetooth barcode to pair.



Pair with phone, pad, or other devices.



Pair with your laptops or use the cable to connect the Bluetooth scanner.



Pair with PC without Bluetooth, you need to use a Bluetooth receiver or the wired mode to connect with a PC without Bluetooth functionality.

### Charge the Barcode Scanner

Simply connect the scanner with any USB power adapter via the included USB cable. The LED light will flash red and blue alternately while the scanner is being charged.



**Note:**

- Charge the scanner if the LED indicator flashes red 3 times as low battery alarm.
- Scan the barcode to learn about the battery status on your PC.



Battery Status

### Beeper & LED Definitions

| Beeper       | LED Indicator                      | Indication  |
|--------------|------------------------------------|---|
| 3 beeps      | Blue LED On                        | Power up with over 30% battery  |
| 3 beeps      | Red LED flashes 3 times            | Power up on with battery lower than 30%                               |
| N/A          | Red LED flashes 3 times            | Power off with battery lower than 20%                                 |
| N/A          | Red LED flashes                    | Battery drained<br>(Charge for 30 to 50 minutes, then power on again) |
| 3 beeps      | Red LED flashes, blue LED solid on | Pairing   |
| 2 beeps      | Blue LED on                        | Paired (Power up then pair)   |
| 1 tick       | Red LED on                         | Transmission error  |
| 1 short beep | Blue LED on                        | Code scanned and uploaded   |
| 1 beep       | Blue LED on                        | Code scanned and saved in inventory mode                              |
| 1 tick       | Red LED on                         | Transmission error or insufficient space in inventory mode            |
| 2 beeps      | N/A                                | Connected to host device in wired mode                                |

## Troubleshooting

| Problem  | Possible Causes                                      | Possible Solutions  |
|--|--|---|
| Nothing happens when you operate the scanner as instructed, or the scanner performs abnormally (laser does not come on, scanner emits frequent beeps). | No power to the scanner.                             | Check the power connection. Ensure the power is connected if required for your configuration.     |
|  | Interface / power cables are loose.                  | Check for loose cable connections.  |
| Laser comes on, but barcode does not decode.   | Scanner is not programmed for the barcode type.      | Be sure to program the scanner to read the type of barcode you are scanning.                      |
|  | Barcode is unreadable.                               | Check the barcode to make sure it is not defaced.<br>Try scanning test barcodes of the same type. |
|  | Scanning angle / distance is incorrect.              | Move the scanner closer to or further from the barcode.   |
| Barcode is decoded, but not transmitted to the host.   | Scanner is not programmed for the correct host type. | Scan the appropriate host type barcode.   |
| Scanned data is incorrectly displayed on the host.   | Scanner is not programmed to work with the host.     | Check scanner host type parameters or editing options. Be sure proper host is selected.           |

## Specifications

|                        |   |
|------------------------|---|
| Communication Distance | 7 to 10 m / 22.9 to 32.8 ft               |
| Communication Protocol | Bluetooth 3.0                             |
| Compatibility          | iOS, Mac, Android, XP, Win 7, Win 10 etc. |
| Data Memory            | 16MB Flash                                |
| Scanning Type          | Single / Continuous / Automatic Scan      |
| Source                 | LED (622nm – 628nm)                       |
| Max Scanning Speed     | 200 times / second                        |
| Decoding Accuracy      | 3.3mil                                    |
| Depth of Focus         | 3.3mil: 2mm – 100mm                       |
|                        | 10mil: 2mm – 350mm                        |
|                        | 15mil: 5mm – 500mm                        |
|                        | 30mil: 10mm – 600mm                       |
| Decoding IC            | 32 bit high-speed processor               |
| Print Contrast         | Minimum reflectivity of 30%               |
| Working Current        | Decoding: 40mA                            |
|                        | Working: 20mA                             |
|                        | Standby: 5mA                              |
|                        | Shutdown: 1.8uA                           |
| Battery                | 750mAh                                    |
| Charging Input         | 5V 500mA                                  |
| Charging Time          | 1.5 hours                                 |
| Service Time           | 30 hours                                  |
| Scan Mode              | Wired / Wireless                          |
| Prompting Mode         | Buzzer, LED Light                         |
| Error Rate             | 1/5000000                                 |



|                   |   |
|-------------------|---|
| Scanning Angle    | Rotation Angle: $\pm 42^\circ$<br>Oblique Angle: $\pm 65^\circ$<br>Deflecting Angle: $\pm 65^\circ$   |
| Decoding Ability  | UPC-A, UPC-E, EAN-8, EAN-13, Code 128,<br>Code 39, Code 39, Full ASCII, Codabar / NW7,<br>Code 93, Code 11, MSI, Interleaved 25, Industrial<br>25, ISBN, ISSN, China Post etc.<br>General one-dimensional codes |
| Support Interface | USB HID, USB Virtual Serial (Need to install drive<br>and setup code), SPP  |

## Working Modes

### Normal Mode (\*)

Scan the barcodes directly, the decoded data will be transferred to the receiver and displayed on the PC or your host. A prompt sound will be heard if registration failed.



Normal Mode

### Inventory Mode

Inventory mode allows you to use the scanner without any connection to a host. The scanned codes will be stored in the built-in memory of the scanner. At the end of your work, scan the "Transfer Data" code to transfer the data to your PC or other host.



Inventory Mode



Transfer Data

Scan "Total Number of Data Entry" to check how many data is decoded



Total Number of Data Entry

After you transfer the data in inventory mode, scan "Clear Data" to clear the inventory data.



Clear Data

Transfer Speed Setting (Inventory Mode Only)



Fast



Standard



Slow

### Set Sleep Time



Sleep Time 10 Seconds



Sleep Time 20 Seconds



Sleep Time 5 minutes



Sleep Time 30 minutes



Sleep Time 30 Seconds



Sleep Time 60 Seconds



Sleep Time 2 Minutes



Sleep Time 10 Minutes



Sleep Time 20 Minutes



Stay Power On

## Set Power Off Timer



Turn Off in 10 Seconds



Turn Off in 15 Minutes



Shut Down

## Scanner Sound Setting



Tone 0



Tone 1



Beeper Sound Off



Lower Beeper Volume



Medium Beeper Volume



High Beeper Volume

## Same Code Delay Time Setting

Set up the minimum delay time between decoding of the same codes:



Same code delay time 0 sec \*



Same code delay time 1 sec



Same code delay time 2 sec



Same code delay time infinite

## Scanner Reading Setting



Continuous Scan



Single Scan



Automatic Off



Automatic On

## Code Suffix / Prefix Setting



CR



LF



CR+LF



Disable



Preamble - STX



Postamble - ETX



Add ID AS Prefix on



Add ID AS Prefix off \*



**Note:** When you use the automatic mode, the sleep time is set to 15 minutes.

## Code ID Table

| Code Type         | ID | Code Type | ID | Code Type          | ID |
|-------------------|----|-----------|----|--------------------|----|
| Code 39           | a  | UPC-A     | b  | UPC-E              | c  |
| EAN8              | d  | EAN13     | e  | ISBN               | f  |
| Code 128          | g  | Code93    | h  | Interleaved 2 of 5 | i  |
| Industrial 2 of 5 | j  | CODABAR   | k  | GS1 Data Bar       | D  |
| Code11            | M  | Code32    | c  | GS1 Expanded       | E  |
| China Post Code   | y  | MSI       | l  | GS1 Limited        | L  |

## USB Receiver Setting (Optional)

USB Receiver Setting (Optional)

1. USB virtual serial



USB Virtual Serial



**Note:** to activate the USB virtual serial, you need to install the driver beforehand.

2. USB HID \*



USB HID \*



USB HID Fast (WINDOWS)



USB HID Slow (APPLE)

## Code Symbol On / Off

### CODE11



Enable \*



Disable

### CODE128



Enable \*



Disable

### CODE 39



Enable \*



Disable



FULL ASCII Enable



FULL ASCII Disable \*

### CODE 93



Enable \*



Disable

### UPC-E



Enable \*



Disable

### CODABAR



Enable \*



Disable

### EAN - 13



Enable \*



Disable

### Interleaved 2 of 5



Enable \*



Disable

### EAN - 8



Enable \*



Disable

### Industrial 2 of 5



Enable \*



Disable

### CODE32



Enable \*



Disable

### UPC-A



Enable \*



Disable

### CODE32 Check Digit



On



Off

## Language Setting



UNITED STATES



FRANCE



SERBIA / YUGOSLAVIA



BELGIUM



GERMANY



SLOVENIA



BRAZIL



PORTUGAL



SPAIN



ITALY



UNIVERSAL

## FCC STATEMENT

NOTE: This equipment has been tested and found to comply with the limits for a Class B digital device, pursuant to part 15 of the FCC Rules. These limits are designed to provide reasonable protection against harmful interference in a residential installation. This equipment generates uses and can radiate radio frequency energy and, if not installed and used in accordance with the instructions, may cause harmful interference to radio communications. However, there is no guarantee that interference will not occur in a particular installation. If this equipment does cause harmful interference to radio or television reception, which can be determined by turning the equipment off and on, the user is encouraged to try to correct the interference by one or more of the following measures:

- Reorient or relocate the receiving antenna.
- Increase the separation between the equipment and receiver.
- Connect the equipment into an outlet on a circuit different from that to which the receiver is connected.
- Consult the dealer or an experienced radio/TV technician for help

Changes or modifications not expressly approved by the party responsible for compliance could void the user's authority to operate the equipment.

This device complies with Part 15 of the FCC Rules. Operation is subject to the following two conditions:

- (1) this device may not cause harmful interference, and
- (2) this device must accept any interference received, including interference that may cause undesired operation.



### **WEEE Compliance**

Correct Disposal of This Product (Waste Electrical & Electronic Equipment)

(Applicable in countries with separate collection systems)

This marking on the product, accessories or literature indicates that the product and its electronic accessories should not be disposed of with other household waste at the end of their working life. To prevent possible harm to the environment or human health from uncontrolled waste disposal, please separate these items from other types of waste and recycle them responsibly to promote the sustainable reuse of material resources. Household users should contact either the retailer where they purchased this product, or their local government office, for details of where and how they can take these items for environmentally safe recycling. Business users should contact their supplier and check the terms and conditions of the purchase contract.

This product and its electronic accessories should not be mixed with other commercial wastes for disposal.